



The Optical Ethernet Company

MediaChassis Series

Standalone Chassis for Customer Premises and Remote Access Points

The MediaChassis series is an ideal solution for the fiber optic connectivity of remote locations or in applications with limited space.

The **MediaChassis** series comprises compact, flexible table-top units that host a variety of IMC Networks fiber media modules supporting Ethernet, ATM/SONET, T1/E1, DS3/E3/STS-1 and WDM networking technologies. The **MediaChassis** series enables network operators to customize their networks by using the protocols most appropriate for each remote location. For example, some access points are further away and require the distance associated with single-mode fiber, while other locations require higher data rates to accommodate the need for bandwidth-intensive applications. Providing ultra flexibility, modular **MediaChassis** allow conversion between copper and fiber as well as between two fiber types, at various speeds, depending on the installed module. Deploy these standalone chassis at the customer premises (CPE) or each access point and connect to a multi-slot **iMediaChassis*** located at the central office (CO).

The MediaChassis series includes:

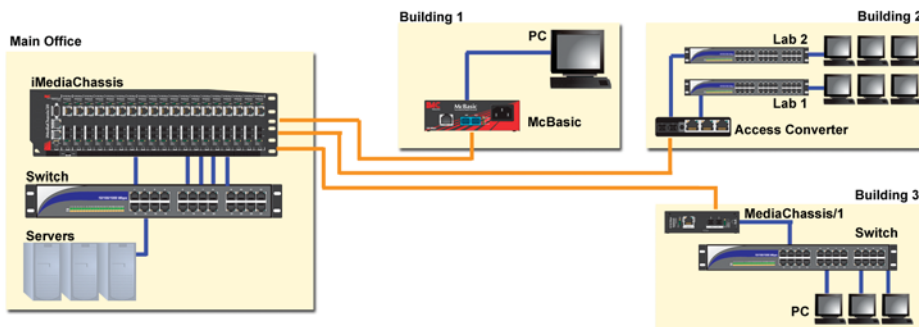
- 1 slot and 2 slot models for installing any combination of iMcV series modules*
- An internal power supply that significantly increases reliability over products that use bulky, external AC/DC power transformers.
- Installation flexibility: table-top, rack and wall mount options

The MediaChassis series also includes an Industrial Ethernet (IE) model; IE-MediaChassis/1 includes:

- Two power options: 4-terminal DC power block and a country-specific external AC power adapter
- An extended voltage range on the DC power block: 6 to 50 VDC input
- DIN clips for mounting the enclosure on a DIN-rail
- An extended operating temperature of -45°C to +70°C when used with modules that also accommodate the same operating temperature

Application Example

Service provider, campus and enterprises networks can greatly benefit from the flexibility of IMC Networks' **MediaChassis**. Networks operators can easily connect multiple users and devices that have vastly different requirements by installing one or more **iMediaChassis** at the central office, in the wiring closet or communications room and pairing with **MediaChassis** populated with **iMcV** series modules of various protocols at each remote location.



* Please refer to the respective datasheets on the **iMediaChassis** and each **iMcV** module for more information.



Meets various installation/application requirements

- 1-slot and 2-slot models available
- Available with AC or DC power
- Use when SNMP management isn't required

Use AC and DC power options with the same unit; IE-MediaChassis includes:

- A 4-terminal DC power block
- A country-specific, high-reliability AC power adapter
- An extended voltage range on the DC power block

Space saving alternative

- Standalone units designed with small, rugged enclosure
- Wall or rackmount with purchase of brackets or rackmount shelf
- **IE-MediaChassis/1** includes DIN clips for mounting (parallel or perpendicular) on DIN-Rail

Install a wide variety of media modules

- 10, 100 and 1000 Mbps Ethernet and T1/E1/J1 copper-to-fiber converters
- 10 Mbps Ethernet copper-to-coax converters
- 10/100 Mbps autosensing copper-to-fiber converters
- DS3/E3 copper-to-coax converters
- End to end remote fiber management
- Fiber mode converters
- Fiber optic repeaters

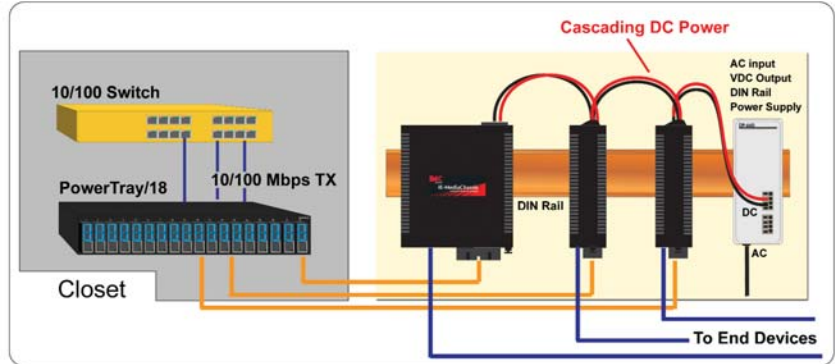
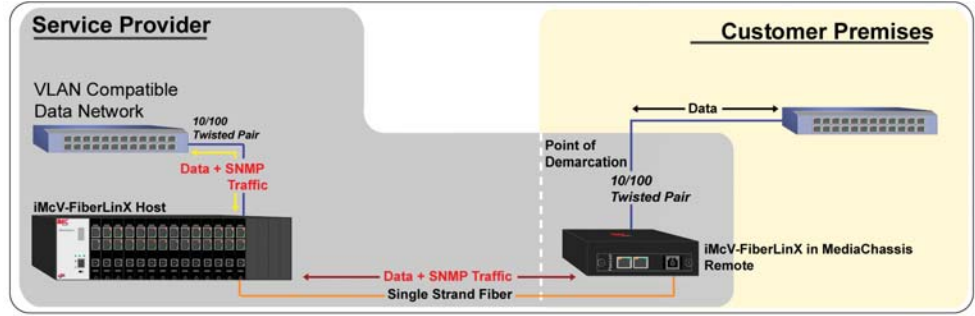


Application Examples (continued)

For both simple media conversion and optical demarcation, *MediaChassis* is the perfect solution for Customer Premises Equipment (CPE). For example, install an iMcV series *FiberLinX** module into a *MediaChassis* enclosure to provide remotely managed optical access. Because *iMcV-FiberLinX* includes on-board SNMP, the *MediaChassis* becomes a managed device.

The *IE-MediaChassis/1* ships from the factory with DIN-clips, allowing installation on a DIN-rail. When installing multiple *IE-MediaChassis/1* units on a DIN-rail, you can use one DC input source then cascade from one DC block to the next, until reaching the maximum current available.

* Please refer to the datasheet on the iMcV FiberLinX series for more information.



Technical Specifications

MediaChassis/1

- Includes 1 slot for installing any iMcV module*
 - SNMP-manageable ONLY when module includes on-board SNMP logic (i.e. iMcV-FiberLinX)
- Dimensions: 1.55"H x 4.75"L x 7.31"D
(3.94cm H x 12.07cm L x 18.57cm D)

MediaChassis/2

- Includes 2 slots for installing any iMcV module
 - SNMP-manageable ONLY when module includes on-board SNMP logic (i.e. iMcV-FiberLinX)
 - Available with AC or DC power
- Dimensions: 2.30"H x 4.75"L x 7.31"D
(5.84cm H x 12.07cm L x 18.57cm D)

*Does not support double-wide iMcV Modules

MediaChassis

Regulatory Approvals:

- FCC Class A
 - UL/cUL, CSA, CE
- AC Input: 100-240 VAC ±10%, 50/60 Hz, 1A max.

DC Input: 38-72 VDC

Operating Temperature:

32° – 122°F (0° – 50°C);

Storage Temperature:

-13° to +158°F (-25° to +70°C)

Humidity: 5% to 90%, noncondensing,
0 – 10,000 ft. altitude

IE-MediaChassis/1

- Includes 1 slot for installing any iMcV module*
- Includes country-specific, high-reliability AC power adapter

- Includes 4-terminal DC power block for cascading DC Power
 - Includes DIN Clip designed for use on a DIN-35 rail
- Regulatory Approvals:

- FCC Class A
 - UL/cUL, CSA, CE
- AC Wall Adapter: 100/240 ±10% VAC input, 5VDC output

DC Jack: 5 to 20 VDC

DC Terminal Block: 7 to 50 VDC

Dimensions: .90"H x 4.30" L x 4.00"D
(2.29cm H x 10.92cm L x 10.16cm D)

Operating Temperature:

-40° to +158°F (-40° to +70°C) excluding AC wall adapter; with AC wall adapter 32° to 122°F (0° to 50°C)

Storage Temperature: -49° to 185°F (-45° to +85°C)

Ordering Information

Unmanaged Modular Chassis

50-13100	MediaChassis/1-AC — 1-slot, table-top, internal AC power
50-13101	MediaChassis/2-AC — 2-slot, table-top, internal AC power
50-32101	MediaChassis/2-DC — 2-slot, table-top, internal DC power
50-33100	IE-MediaChassis/1 — 1-slot, table-top, includes AC power adapter

Accessories— Rackmount/Wallmount Brackets

95-39226	McBasic/MediaChassis Rackmount Brackets
95-39227	McBasic/MediaChassis Wallmount Brackets
95-39228	McBasic/MediaChassis x3 Rackmount Shelf



For information/part numbers for iMcV series modules, please refer to the datasheet for the respective product.

IMC Networks

Headquarters

19772 Pauling
Foothill Ranch, CA 92610
TEL: 949-465-3000
FAX: 949-465-3020
sales@imcnetworks.com
www.imcnetworks.com

IMC Networks

Europe

Herseltsesteenweg 268
B-3200 Aarschot Belgium
TEL: +32-16-550880
FAX: +32-16-550888
eurosales@imcnetworks.com

IMC Networks

Eastern US/Latin America

18840 US Hwy. 19 North Suite 400
Clearwater, FL 33764
TEL: 727-524-8152/524-8071 (Latin)
FAX: 727-524-8432
latinsales@imcnetworks.com

IMC Networks

Fiber Consulting Services

For information call:
TEL: 949-465-3000
1-800-624-1070 (US/CAN)
+32-16-550880 (Europe)
fcs@imcnetworks.com

Copyright © 2005 IMC Networks. All rights reserved. The information in this document is subject to change without notice. IMC Networks assumes no responsibility for any errors that may appear in this document. Specific product names may be trademarks or registered trademarks and are the property of their respective companies.