

SNMP-Manageable Chassis for “iMcV” Series Modular Media Converters

iMediaChassis/20

PRODUCT FEATURES

- 20-slot chassis supporting low to high density deployment
- Install wide varieties of media conversion and optical demarcation modules
- SNMP management using optional SNMP management module
- 19” rack or rack shelf mountable
- Dual (redundant) AC or DC and AC/DC power supplies and fans



The iMediaChassis/20 is an intelligent, carrier-class optical access platform that supports modules which provide conversion of Ethernet to fiber and a variety of other telco networking technologies, including VDSL, T1/E1, DS3/E3/STS-1 and WDM. The iMediaChassis/20 enables network operators to drastically reduce the capital and operational expenses by providing copper-to-fiber, multi-mode to single-mode fiber and TDM conversions in a variety of speeds ranging from 10Mbps up to 10GB from the same managed chassis platform. Having the highest port density in the industry - along with a robust design, hot-swappable architecture, SNMP-management, and redundant power supplies for fault tolerance - makes the iMediaChassis ideal for installing in the Central Office (CO) where a multitude of diverse applications, using a variety of protocols, is required. Pair this multi-slot chassis with a MediaChassis or other standalone B+B SmartWorx unmanaged device at the customer premises, for complete end-to-end management.

- An independent SNMP-management slot to isolate management data from user traffic
- Fans on the 20-slot chassis can be remotely controlled via SNMP
- Remote temperature monitoring on all chassis

ORDERING INFORMATION

MODEL NUMBER	DESCRIPTION
iMediaChassis/20 *	
850-10960-2AC	Includes 2 AC power supply modules
850-10960-ACDC	Includes 1 AC, 1 DC power module
605-10144-2AC	Includes 2 AC power supply modules
605-10145-2DC	Includes 2 DC power supply modules

*An SNMP module is required to utilize full SNMP functionality in the iMediaChassis family.

ACCESSORIES

- 806-39960-AC - Power Supply, 960-AC Power Module (100-240V AC)
- 806-39960-DC - Power Supply, 960-DC Power Module (300 Watt, -48V DC)
- 850-39950 - iMediaChassis SNMP Management Module
- 605-10144-AC - AC Power Supply (300W, 100-240V AC)
- 605-10145-DC - DC Power Supply (300Watt, -48V DC)



SNMP Module (optional)



Optional power supplies available for purchase, depending on chassis style. (Model# 806-39960-DS shown)

SNMP-Manageable Chassis for "iMcV" Series Modular Media Converters



iMediaChassis/20

SPECIFICATIONS

TECHNICAL

SNMP-manageable with use of SNMP module
SNMP Write Lock switch protects the SNMP-configured settings
Built to NEBS-III specifications
Last Gasp feature sends notification of AC line failures and power supply failures
Available with AC or DC power
Available with redundant power
Highest port density, 20 slots
Includes fan tachometers
MIB:
Port Type
Fan speeds
Traps
Fiber Type
Module Type
Link Status of Ports
Chassis temperature
Power Supply Type/Status
User-Definable Name/ID of Product and Each Port
Enable/Disable Ports
Enable/Disable FO/FX LinkLoss, TP/TX LinkLoss
Enable/Disable FiberAlert, Auto Negotiation

MECHANICAL

Dimensions	5.17"H x 19.0"W x 14"D (13.13cm H x 48.26cm W x 35.56cm D)
Shipping Weight	30 lbs (13.60 kg)

AC INPUT LOAD: DUAL AC

850-10960 series:	100 to 240V AC±10%, 50-60Hz, 3.5/1.5A
605-10144 series:	100-240V AC + - 10%, 50-60Hz, 4.5/2A

DC INPUT LOAD: DUAL DC

850-10960 series:	-48V DC, 5A Max (per module)
605-10144 series:	-48V DC, 9A

AC/DC LOAD FOR 850-10960-AC/DC MODEL

850-10960 series:	-48V DC, 4.4A Max, per module 100 to 240V AC±10%, 50-60Hz, 2A
-------------------	--

ENVIRONMENTAL

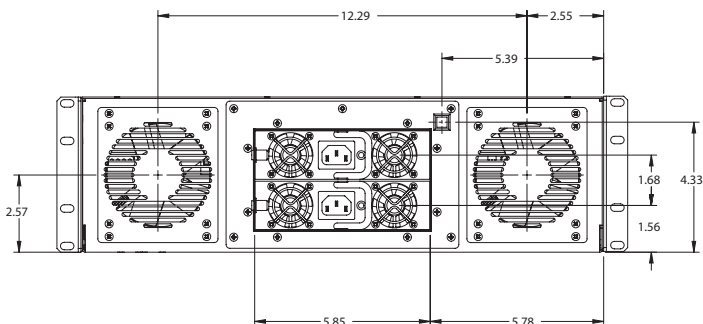
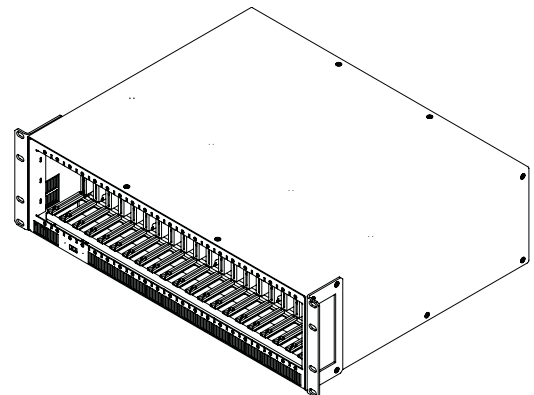
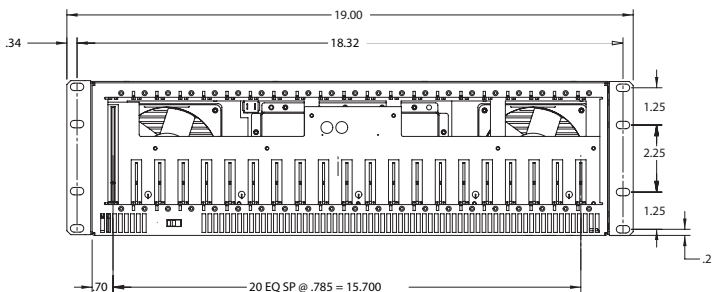
Operating Temperature:	+32° to +122° F (0° to +50° C)
Storage Temperature:	-4° to +176° F (-20° to +80° C): Dual AC, AC/DC -4° to +140° F (-20° to +60° C): Dual DC
Operating Humidity	5% to 95% (non-condensing), 0 – 10,000 ft. altitude

REGULATORY APPROVALS

Dual AC: FCC Class B
Dual DC: FCC Class B
AC/DC: FCC Class B
UL/cUL, CSA, CE

MECHANICAL DIAGRAM

(dimensions in inches)



Chassis shown with optional power supply.
Power supplies available for purchase, depending on chassis style.